



特徴

- Web Client, Mobile Client
- Event trigger, response and notification

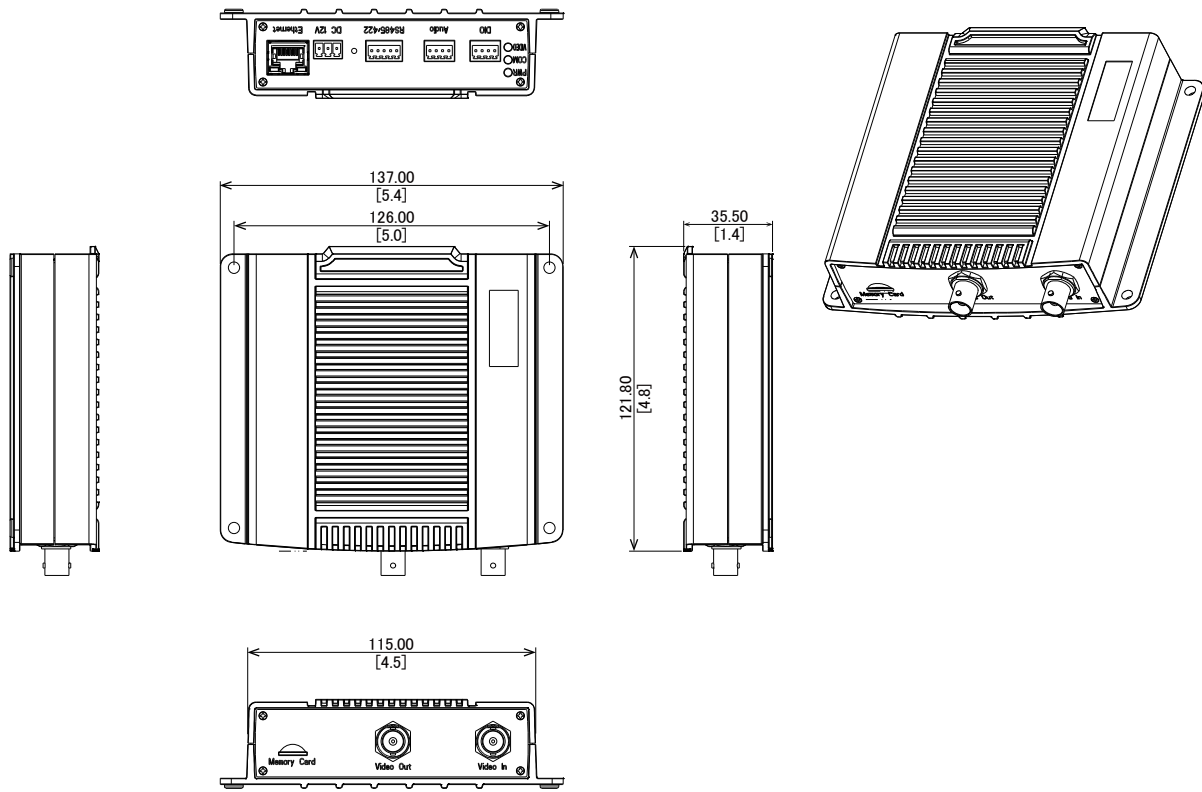
仕様

項目	V21
・ Device	
Product Type	Video Encode
Maximum Number of Cameras	1
・ PTZ	
Pan, Tilt or Zoom protocol	Pelco-D, Pelco-P V2, Dynacolor
・ Video	
Compression	H.264 (Baseline/ Main/ High profile), MJPEG
Maximum Frame Rate vs. Resolution	30 fps at 960 × 480 25 fps at 960 × 576 30 fps at 720 × 480 25 fps at 720 × 576
Multi-Streaming	Simultaneous dual streams
Bit Rate	28Kbps – 6Mbps (per stream)
Bit Rate Mode	Constant, Variable
Image Enhancement	Brightness, Saturation, Contrast, Sharpness
Privacy Mask	4 configurable regions
Text Overlay	Yes
Server-based Analytics	Face Detection, Object Based Motion Detection, Tamper, People Counting, Object Line Crossing Detection, Object Enter Area Detection, Missing Object Detection, Unattended Object Detection, Crowd Detection, Vehicle Counting, Heat Map, Automatic License Plate Recognition, Vehicle Speed Detection, (Require PC-based or standalone IVS or ALPR Server. Contact ACTi support for recommendations on how to maximize analytical accuracy)
Image Orientation	Flip, Mirror
・ Audio	
Audio Type	2-way, Line-in, Line-out
Audio Compression	8 kHz, Mono, PCM, 16 bit encoding, G.711
・ Network	
Network Protocol & Service	TCP, UDP, HTTP, HTTPS, DHCP, PPPoE, RTP, RTSP, IPv4/v6, DNS, DDNS, NTP, ICMP, ARP, IGMP, SMTP, FTP, UPnP, SNMP, Bonjour, IEEE 802.1X
Ethernet Port	1 × RJ-45 connector
Security	IP address filtering, HTTPS encryption, Password protected user level, IEEE 802.1X network access control, Anonymous login

■ 仕様

項目	V21
・ Event	
Event Trigger	Video motion detection (3 regions), External device through digital input, Sound detection, Video loss, Video Recovery, Scheduler, Storage removed, Failed to write storage, System is going to reboot, System booted successfully
Event Response	Notify control center, Go to PTZ preset point or preset tour, Change camera settings, Command other devices, E-mail notification with snapshots, Save video or snapshot to local storage, Upload video or snapshot to FTP server, Activate external device through digital output, Change motion detection profile
・ System	
Client PC Operating System	Windows 10, Windows 11
Mobile Client Program	Mobile device application (ACTi Mobile Client) supports Live View, PTZ Control, Supported device(s) iPhone, Android device
・ Integration	
Unified Solution	Fully compatible with ACTi cameras
Software Development Kit	Yes
GPS Position	Manual setting
ONVIF Compliant	Yes, Profile S
Web Browser	IE 11, Microsoft Edge(IE mode)
・ Interface	
Serial Port	1, RS-485/RS-422, Terminal block
Audio Interface	1/1, Terminal block
Analog Video Input	1 X CVBS, BNC connector
Analog Video Output	1 x CVBS, BNC connector
Local Storage	MicroSD, MicroSDHC, MicroSDXC memory card slot (card not included)
Digital Input/Output	1/1
・ General	
Power Source	DC 7-20V, PoE Class 3 (IEEE802.3af)
Power Consumption	3 W (DC), 3.36 W (PoE)
Weight	442g (0.977lb)
Dimensions	(W × H × D): 137mm × 35.5mm × 121.8mm (5.4" × 1.4" × 4.8")
Mount Type	Surface
Starting Temperature	-10° C ~ 50° C (14° F ~ 122° F)
Operating Temperature	-10° C ~ 50° C (14° F ~ 122° F)
Operating Humidity	10% - 85% RH
Remote Access	Web Client, Mobile Client
Approvals	CE, FCC, UL (for optional PoE injector and power adapter)
Real-time Clock (RTC)	Yes

■ 寸法図



単位 : mm