



■ 仕様

項目	IP9165-HT
Model	IP9165-HT
System Information	
CPU	Multimedia SoC (System-on-Chip)
Flash	128MB
RAM	1GB
Camera Features	
Image Sensor	1/2" Progressive CMOS
Maximum Resolution	1920 × 1080
Lens Type	Vari-focal, Remote Focus, i-CS
Focal Length	f = 3.9~10mm
Aperture	F1.5~F2.7
Iris type	i-CS (P-iris/DC-iris reserved)
Field of View	42.7° ~109.7° (Horizontal)、23.9° ~58.5° (Vertical)、49° ~129.9° (Diagonal)
Shutter Time	1/5 sec. to 1/32,000 sec.
WDR Technology	WDR Pro II
Day/Night	Yes
Removable IR-cut filter	Yes
Minimum Illumination	0.01 Lux @ F1.5 (Color) 0.005 Lux @ F1.5 (B/W)
Pan/Tilt/Zoom Functionalities	ePTZ: 48x digital zoom (4x on IE plug-in, 12x built-in)
On-board Storage	Slot type: MicroSD/SDHC/SDXC card slot(Max. SD card capacity:128GB) Seamless Recording
Video	
Compression	H.265, H.264, MJPEG
Maximum Frame Rate	60 f ps @ 1920 × 1080
Maximum Streams	4 simultaneous streams
S/N Ratio	66.2dB
Dynamic Range	140dB
Video Streaming	Adjustable resolution, quality and constant,bit rate control; Smart Stream III
Image Settings	Adjustable image size, quality and bit rate; Time stamp, text overlay, flip & mirror; Configurable brightness, contrast,saturation, sharpness, white balance, exposure control, gain, backlight compensation, AE speed, privacy masks; Scheduled profile settings, HLC, defog,3DNR, DIS, video rotation, lens profile, remote focus, lens distortion correction (LDC)

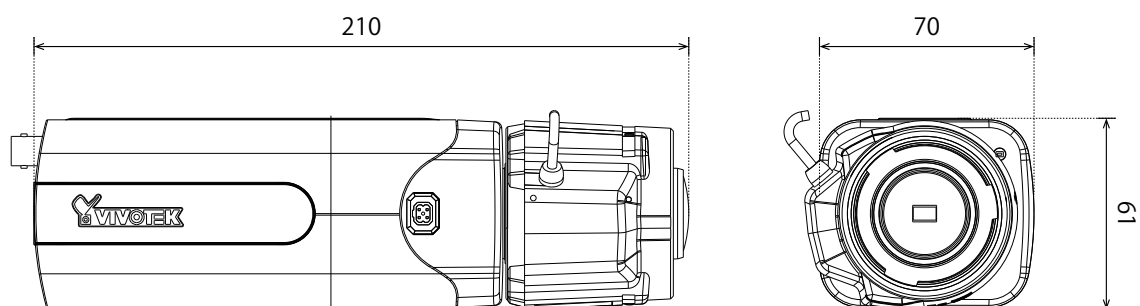
■ 仕様

項目	IP9165-HT
Audio	
Audio Capability	Two-way audio
Compression	G.711, G.726
Interface	External microphone input External line output
Network	
Users	Live viewing for up to 10 clients
Protocols	IPv4, IPv6, TCP/IP, HTTP, HTTPS, UPnP, RTSP/RTP/RTCP, IGMP, CIFS/SMB, SMTP, FTP, DHCP, NTP, DNS, DDNS, PPPoE, CoS, QoS, SNMP, 802.1X, UDP, ICMP, ARP, TLS
Interface	10 Base-T/100 Base-TX/1000 Base-T Ethernet(RJ-45) *It is highly recommended to use standard CAT5e & CAT6 cables which are compliant with the 3P/ETL standard.
ONVIF	Supported, specification available at www.onvif.org
Intelligent Video	
Video Motion Detection	Five-window video motion detection
Alarm and Event	
Alarm Triggers	Motion detection, manual trigger, digital input, periodical trigger, system boot, recording notification, camera tampering detection, audio detection, advanced motion detection, MicroSD card life expectancy
Alarm Events	Event notification using digital output, HTTP, SMTP, FTP, NAS server and MicroSD card File upload via HTTP, SMTP, FTP, NAS server and MicroSD card
General	
Connectors	RJ-45 cable connector for Network/PoE connection *1 Audio input *1 Audio output *1 DC 12V/AC 24V power in *1 Digital input *2 Digital output *2 RS485 *1 BNC *1
LED Indicator	System power and status indicator
Power Input	IEEE 802.3af PoE Class 0 DC 12V AC 24V
Power Consumption	DC 12V: Max. 9 W AC 24V: Max. 18 W PoE: Max. 9.06 W
Dimensions	151 × 70 × 61 mm (w/o lens) 227 × 70 × 61 mm (w/ lens)
Weight	680 g (w/o lens) 790 g (w/ lens)
Safety Certifications	CE, LVD, FCC Class B, VCCI, C-Tick, UL
Operating Temperature	Starting Temperature: 0°C ~ 50°C (32°F ~ 122°F) Working Temperature: -10°C ~ 60°C (-14°F ~ 140°F)
Humidity	90%
Warranty	36 months

■ 仕様

項目	IP9165-HT
System Requirements	
Operating System	Microsoft Windows 8/7
Web Browser	Mozilla Firefox 7~43 (streaming only) Internet Explorer 10/11
Other Players	VLC: 1.1.11 or above QuickTime: 7 or above
Included Accessories	
Others	Quick installation guide, warranty card, lens, camera stand, screw pack

■ 寸法図



単位 : mm