



■ 仕様

項目	FD9365-HTVL
Model	Motorized, Vari-focal, Remote Focus
System Information	
CPU	Multimedia SoC (System-on-Chip)
Flash	128MB
RAM	512MB
Camera Features	
Image Sensor	1/2" Progressive CMOS
Maximum Resolution	1920 × 1080 (2MP)
Lens Type	Motorized, Vari-focal, Remote Focus
Focal Length	f = 4~9 mm (f = 2.8~11.4 mm, equivalent focal length @ 1/2.8)
Aperture	F1.3~F2.2
Iris type	P-iris
Field of View	46° ~120° (Horizontal)、26° ~60° (Vertical)、53° ~152° (Diagonal)
Shutter Time	1/5 sec. to 1/32,000 sec.
WDR Technology	WDR Pro II
Day/Night	Yes
Removable IR-cut filter	Yes
IR Illuminators	Built-in IR illuminators, effective up to 50 meters with Smart IR II, IR LED*4
Minimum Illumination	0.01 Lux @ F1.3 (Color), 50IRE 0.002 Lux @ F1.3 (Color), 30IRE <0.005 Lux @ F1.3 (B/W) 0 Lux with IR illumination on
Pan Range	353°
Tilt Range	65°
Rotation Range	180°
Pan/Tilt/Zoom Functionalities	ePTZ: 48x digital zoom (4x on IE plug-in, 12x built-in)
On-board Storage	Slot type: MicroSD/SDHC/SDXC card slot Seamless Recording
Video	
Compression	H.265, H.264, MJPEG
Maximum Frame Rate	60 fps @ 1920 × 1080
Maximum Streams	4 simultaneous streams
S/N Ratio	66 dB
Dynamic Range	140 dB

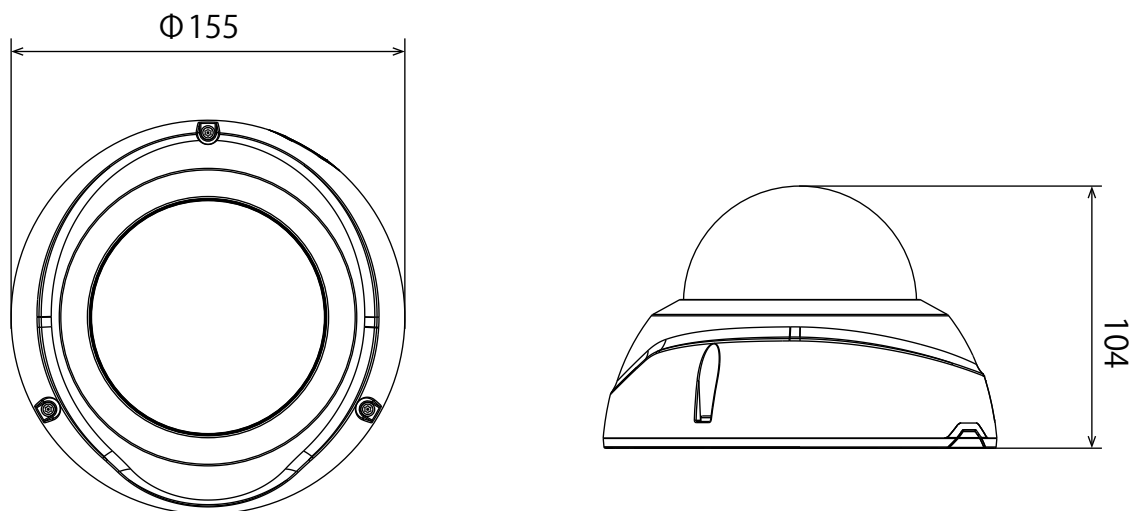
■ 仕様

項目	FD9365-HTVL
Video Streaming	Adjustable resolution, quality and constant bit rate control, Smart Stream III
Image Settings	Time stamp, text overlay, flip and mirror,configurable brightness, contrast,saturation, sharpness, white balance,exposure control, gain, backlight compensation, privacy masks, scheduled profile settings, video rotation, 3DNR, DIS,HLC, defog, deblur, metering
Audio	
Audio Capability	Two-way Audio (full-duplex)
Compression	G.711, G.726
Interface	Built-in microphone External microphone input External line output
Effective Range	5 meters
Network	
Users	Live viewing for up to 10 clients
Protocols	802.1X, ARP, CIFS/SMB, CoS, DDNS, DHCP,DNS, FTP, HTTP, HTTPS, ICMP, IGMP, IPv4,IPv6, NTP, PPPoE, QoS, RTSP/RTP/RTCP, SMTP,SNMP, SSL, TCP/IP, TLS, UDP, UPnP
Interface	10 Base-T/100 Base-TX Ethernet (RJ-45) *It is highly recommended to use standard CAT5e & CAT6 cables which are compliant with the 3P/ETL standard.
ONVIF	Supported, specification available at www.onvif.org
System Integration	
Smart Motion Detection	Five-window video motion detection,people detection, time filter
Smart VCA	Intrusion detection, loitering detection, line crossing detection, unattended object detection, missing object detection, face detection *Please access http://license.vivotek.com/ to get the free trial license.
VADP Package	Trend Micro IoT Security, Deep Learning VCA (Smart Motion Detection, Smart VCA)
Alarm and Event	
Alarm Triggers	Motion detection, manual trigger,digital input, periodical trigger, system boot, recording notification, camera tampering detection, audio detection,shock detection, SD card life expectancy,cybersecurity events (brute force attack event, cyberattack event, quarantineevent)
Alarm Events	Event notification via digital output, email,HTTP, FTP, NAS server, SD card File upload via email, HTTP, FTP, NAS server,SD card
General	
Connectors	RJ-45 cable connector for 10/100Mbps Network/PoE connection Audio input Audio output AC 24 V DC 12 V Digital input *2 Digital output *2 TV out
LED Indicator	System power and status indicator
Power Input	AC 24V、DC 12V、IEEE 802.3af PoE Class 0
Power Consumption	PoE: Max. 12.54 W AC 24V: Max. 11.4 W DC 12V: Max. 10.8 W

■ 仕様

項目	FD9365-HTVL
Dimensions	Ø 155 × 104 mm
Weight	873 g
Casing	IP66, IK10
Safety Certifications	CE, LVD, FCC Class A, VCCI, C-Tick, UL
Operating Temperature	Starting Temperature: -10°C ~ 60°C (14°F ~ 140°F) Working Temperature (IR off): -30°C ~ 60°C (-22°F ~ 140°F) Working Temperature (IR on): -30°C ~ 50°C (-22°F ~ 122°F)
Humidity	90%
Warranty	36 months
System Requirements	
Operating System	Microsoft Windows 8/7 Mac 10.12 (Chrome only)
Web Browser	Chrome 58.0 or above Internet Explorer 10/11
Other Players	VLC: 1.1.11 or above
Included Accessories	
Others	Quick installation guide, warranty card, screw pack, alignment sticker

■ 寸法図



単位 : mm