



■ 仕様

項目	CC9381-HV
System Information	
CPU	Multimedia SoC (System-on-Chip)
Flash	256 MB
RAM	512MB
Camera Features	
Image Sensor	1/2.7" Progressive CMOS
Maximum Resolution	2560 × 1920 (5MP)
Lens Type	Fixed-focal
Focal Length	f = 1.45 mm
Aperture	F2.2
Iris type	Fixed iris
Field of View	180° (Horizontal) 120° (Vertical) 180° (Diagonal)
Shutter Time	1/5 sec. to 1/32,000 sec.
WDR Technology	WDR Pro
Day/Night	Yes
Removable IR-cut filter	Yes
IR Illuminators	Built-in IR illuminators, effective up to 15 meters with Smart IR, IR LED*4
Minimum Illumination	0.11 lux @ F2.2 (Color) 0.01 lux @ F2.2 (B/W) 0 lux with IR Illuminators on
Tilt Range	±25°
Pan/Tilt/Zoom Functionalities	ePTZ: 48x digital zoom (4x on IE plug-in, 12x built-in)
Storage	Seamless Recording to MicroSD/SDHC/SDXC card and recording to network-attached storage (NAS)
Video	
Compression	H.265, H.264, MJPEG
Maximum Frame Rate	H.265: 20 fps/30 fps @ 2560 × 1920 (WDR Pro on/of f) H.264: 20 fps/25 fps @ 2560 × 1920 (WDR Pro on/of f) MJPEG: 20 fps/20 fps @ 2560 × 1920 (WDR Pro on/of f)
Maximum Streams	3 video streams (Up to 8 configurable profiles)
S/N Ratio	62 dB
Dynamic Range	120 dB

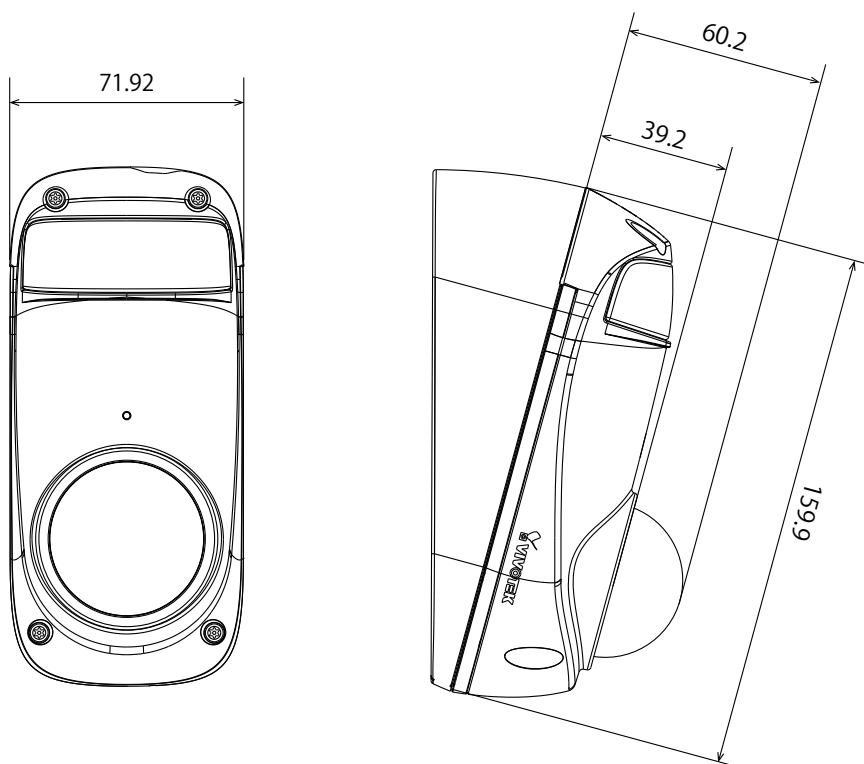
■ 仕様

項目	CC9381-HV
Video Streaming	Adjustable resolution, quality and bit rate control, Smart Stream III
Image Settings	General settings: video title and time stamp overlay, video orientation (flip, mirror), day/night settings; Illuminators: illuminators, anti-ov erexposure; Image settings: white balance, image adjustment (brightness, contrast, saturation, sharpness, gamma curve), def og, 3DNR, HLM, DIS, scene mode (auto, deblur); Exposure: BLC, HLC, exposure control (exposure level, iris adjustment, exposure time, gain control, iris mode), AE speed adjustment, WDR; Privacy mask; Scheduled profile settings
Audio	
Audio Capability	One-way Audio
Audio Compression	G.711, G.726
Audio Interface	Built-in microphone
Network	
Users	Live viewing for up to 10 clients
Security	Access list, digest authentication, HTTPS, IEEE 802.1x, password protection, signed firmware, Trend Micro IoT Security (brute force attack event, cyberattack event, quarantine event), user accesslog, user account management
Protocols	802.1X, ARP, Bonjour, CIFS/SMB, DDNS, DHCP, DNS, FTP, HTTP, HTTPS, ICMP, IGMPv 3, IPv 4, IPv 6, NTP, PPPoE, QoS (CoS/DSCP), RTSP/RTP/RTCP, SMTP, SNMP, SSL, TCP/IP, TLS 1.2, UDP, UPnP
Interface	10 Base-T/100 Base-TX Ethernet (RJ-45) *It is highly recommended to use standard CAT5e & CAT6 cables which are compliant with the 3P/ETL standard.
ONVIF	Profile G, S, T supported, specification available at www.onvif.org
System Integration	
Smart Motion Detection	Five-window video motion detection
VADP Package	Trend Micro IoT Security (1-year free trial), VIVOCLOUD
Alarm and Event	
Event Triggers	Audio detection, camera tampering detection, cybersecurity events (brute force attack event, cyberattack event, quarantine event), manual trigger, motion detection, periodical trigger, recording notification, SD card life expectancy, shock detection, system boot
Event Action	Event notification via email, HTTP, FTP, NAS server, SD card File upload via email, HTTP, FTP, NAS server, SD card
General	
Connectors	RJ-45 cable connector for 10/100Mbps Network/PoE connection
LED Indicator	System power and status indicator
Power Input	IEEE 802.3af PoE Class 0
Power Consumption	Max. 9.12 W/5.37 W (IR on/off)
Dimensions	159.9 × 71.92 × 60.2 mm (Dome to rear panel), 39.2 mm (Flat to rear panel)
Weight	492 g
Certifications	EMC: CE (EN55032 Class B, EN55024), FCC (FCC Part 15 Subpart B Class B), RCM (AS/NZS CISPR 32 Class B), VCCI (VCCI-CISPR 32 Class B); Safety : UL (UL62368-1), CB (IEC/EN 62368-1, IEC/EN 60950-22, IEC/EN 62471); Environment: IK10 (IEC 62262), IP66 (IEC 60529); IA: BIS (IS 13252)

■仕様

項目	CC9381-HV
Operating Temperature	Starting Temperature: $-10^{\circ}\text{C} \sim 50^{\circ}\text{C}$ ($14^{\circ}\text{F} \sim 122^{\circ}\text{F}$) Working Temperature: $-30^{\circ}\text{C} \sim 50^{\circ}\text{C}$ ($-22^{\circ}\text{F} \sim 122^{\circ}\text{F}$)
Humidity	90%
Warranty	36 months
System Requirements	
Operating System	Microsoft Windows 10/8/7 Mac 10.12 (Chrome only)
Web Browser	Chrome 58.0 or above Internet Explorer 10/11
Other Players	VLC: 1.1.11 or above
Included Accessories	
Packing Contents	Quick installation guide, mounting bracket, tilt bracket, screw pack

■寸法図



単位 : mm